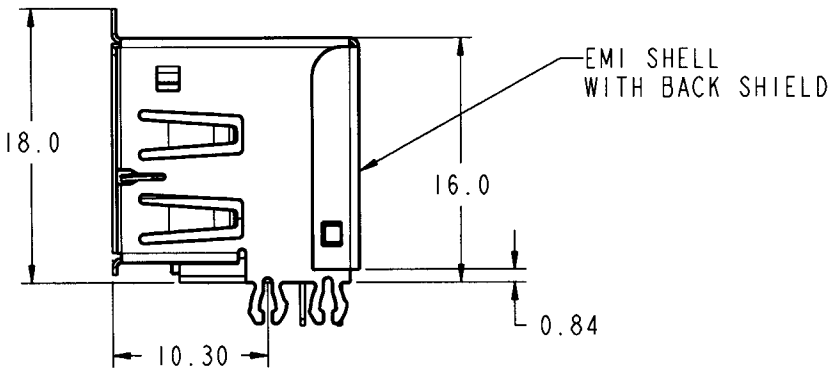
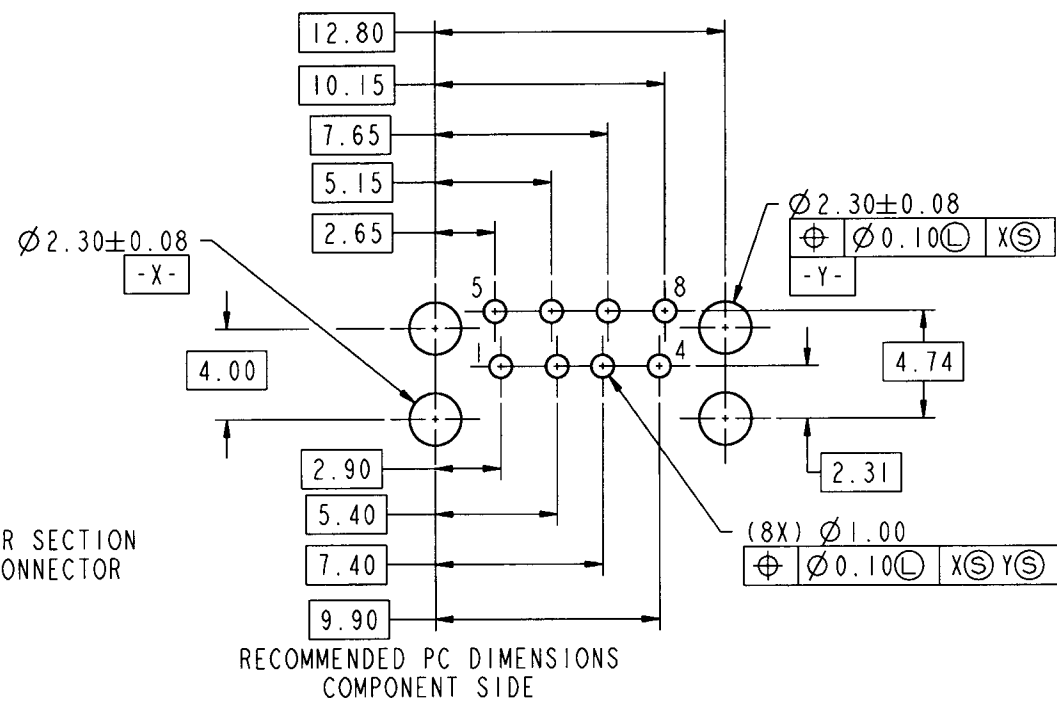
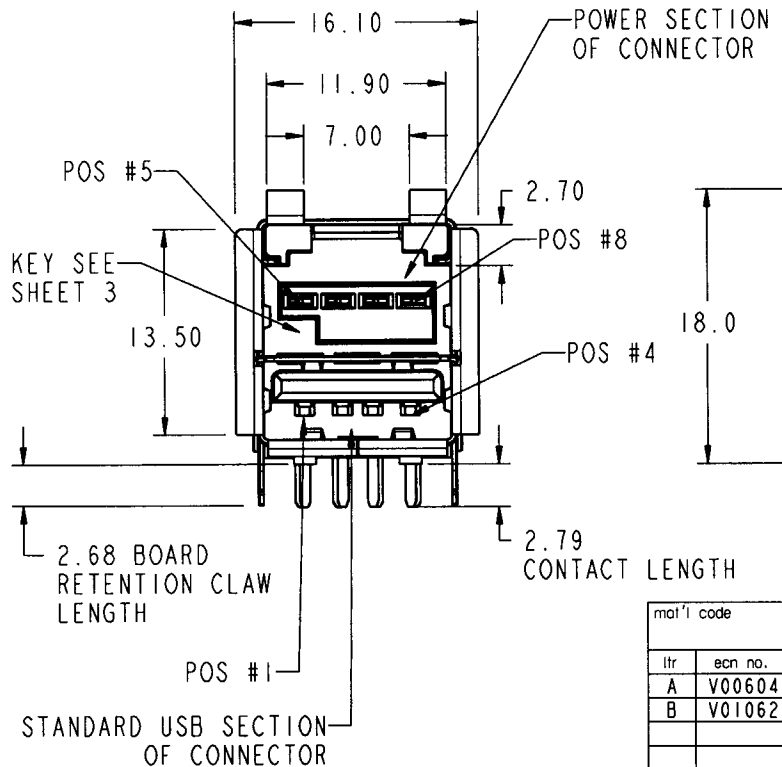
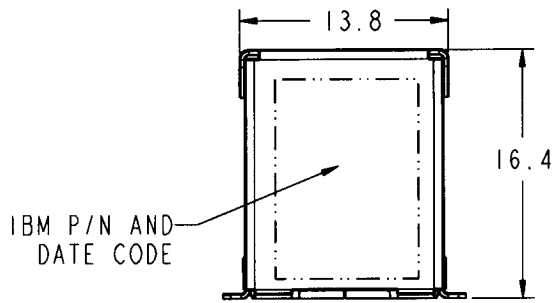


Tous droits strictement réservés. Reproduction ou communication a des tiers interdite sous quelque forme que ce soit sans autorisation écrite du propriétaire. Propriété de c FCI. Droits de reproduction FCI.

All rights strictly reserved. Reproduction or issue to third parties in any form whatever is not permitted without written authority from the proprietor. Property of FCI. Copyright FCI.

PRODUCT NUMBER
SEE TABLE

SEE SHEET 3 FOR KEYING OPTIONS



mat'l code				tolerances unless otherwise specified		CUSTOMER		ELECTRONICS www.fciconnect.com	
lfr	ecn no.	dr	date	linear	0.X ± 0.3	COPY		title	
A	V00604	REM	2/17/00		0.XX ± 0.20	projection		USB+POWER RECEPTACLE ASSEMBLY	
B	V01062	RJR	6/13/00		.XXX ± 0.100			product family	
				angles	0° ± 2°			USB code	
				dr	G. PETERS	2/17/00			size
				enr	R. MACMULLIN	2/17/00			dwg no
				chr	G. PETERS	2/17/00	A		53528
				appd	R. MACMULLIN	2/17/00			code
sheet index	revision sheet	B	B	B					1 of 3
		1	2	3					213

Pro/E

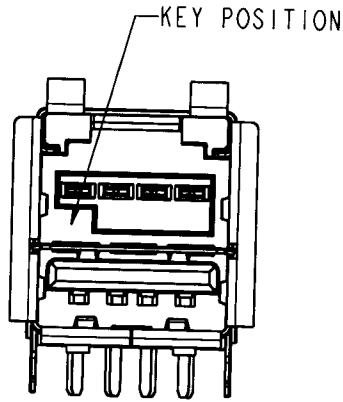
cage code 22526

PRODUCT NUMBER

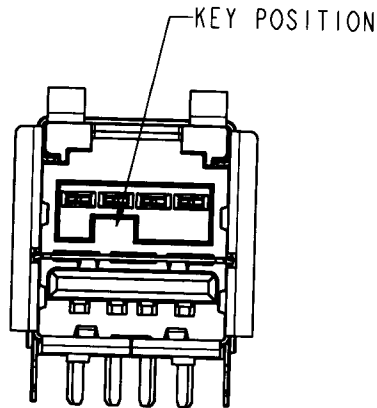
SEE TABLE

Tous droits strictement reserves. Reproduction ou communication a des tiers interdite sous quelque forme que ce soit sans autorisation écrite du propriétaire. Propriete de c FCI. Droits de reproduction FCI.

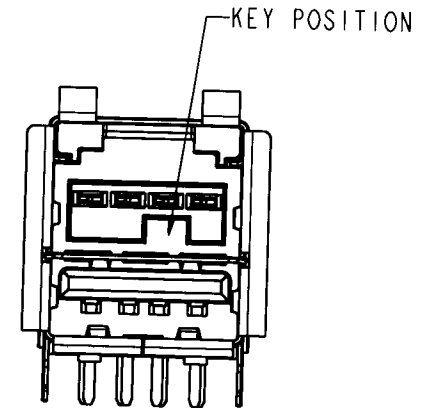
All rights strictly reserved. Reproduction or issue to third parties in any form whatever is not permitted without written authority from the proprietor. Property of FCI. Copyright FCI.



53528-100
KEY POSITION 1



53528-200
KEY POSITION 2



53528-300
KEY POSITION 3

ABOVE ASSEMBLIES ARE SHOWN ONLY FOR
KEY INFORMATION. FOR ASSEMBLY INFORMATION
AND DIMENSIONS SEE PREVIOUS SHEETS

mat'l code				tolerances unless otherwise specified		CUSTOMER		ELECTRONICS www.fciconnect.com	
ltr	ecn no.	dr	date	linear	0.X ±0.3	projection		title	
B					0.XX ±0.20			USB+POWER RECEPTACLE ASSEMBLY	
				angles	.XXX ±0.100	 MM 3:1	product family		code
				dr	0° ±2°		USB		213
				engr	G. PETERS 2/17/00	size A 53528	sheet		2
				chr	R. MACMULLIN 2/17/00				
				appd	G. PETERS 2/17/00				
				appd	R. MACMULLIN 2/17/00				
sheet index	revision sheet								

Pro/E

cage code 22526

Tous droits strictement réservés. Reproduction ou communication à des tiers interdite sous quelque forme que ce soit sans autorisation écrite du propriétaire. Propriété de c.FCI. Droits de reproduction FCI.

All rights strictly reserved. Reproduction or issue to third parties in any form, whatever is not permitted without written authority from the proprietor. Property of FCI. Copyright FCI.

PRODUCT NUMBER	DESCRIPTION	VOLTAGE	HOUSING COLOR
53528-100	RECPT. ASSY. KEY POSITION 1	12V	TEAL
53528-200	RECPT. ASSY. KEY POSITION 2	24V	RED
53528-300	RECPT. ASSY. KEY POSITION 3	5V	*NATURAL

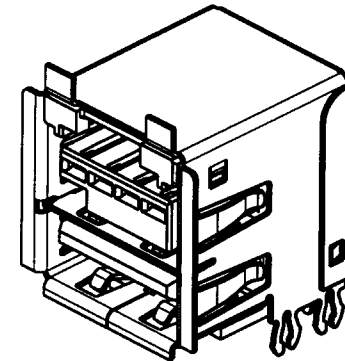
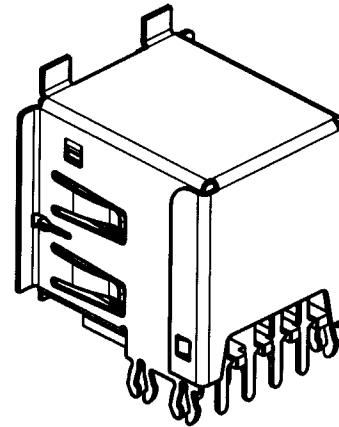
* NATURAL COLOR IS CREAM OFF WHITE.

NOTES:

1. MATERIAL:
 HOUSINGS: NYLON 46 45%GLASS UL 94V-0
 SHIELDS: PHOS.BRONZE, PLATING: TIN/LEAD OVER NICKEL
 TERMINALS: PHOS.BRONZE, PLATING:NICKEL UNDERPLATING
 CONTACT AREA; 30 GXT MIN
 TAIL AREA; TIN/LEAD

2. DIMENSIONS AND TOLERANCES ARE IN ACCORDANCE WITH ASME Y14.5M, 1994.

3. MATING SEQUENCE WHEN MATED WITH USB+POWER PLUG
 PRODUCT NUMBER 53528-X00



CONTACT NUMBER	PRODUCT NUMBER DASH				MATING SEQ.
	-100	-200	-300		
1	VCC	VCC	VCC		2
2	- DATA	- DATA	- DATA		3
3	+ DATA	+ DATA	+ DATA		3
4	GROUND	GROUND	GROUND		2
5	12V GROUND	24V GROUND	5V GROUND		2
6	12V	24V	5V		3
7	12V	24V	5V		3
8	12V GROUND	24V GROUND	5V GROUND		2
SHELL	SHIELD	SHIELD	SHIELD		1

mat'l code				tolerances unless otherwise specified		CUSTOMER		ELECTRONICS www.fciconnect.com		
ltr	ecn no.	dr	date	linear	0.X ±0.3	COPY	 title USB+POWER RECEPTACLE ASSEMBLY	product family USB code		
B				linear	0.XX ±0.20	projection		size	dwg no	213
				angles	.XXX ±0.100	 MM		A	53528	sheet
					0° ±2°		scale			1:1
				dr	G.PETERS 2/17/00					
				engr	R.MACMULLIN 2/17/00					
				chr	G.PETERS 2/17/00					
				appd	R.MACMULLIN 2/17/00					
sheet index	revision sheet									

cage code 22526

Pro/E