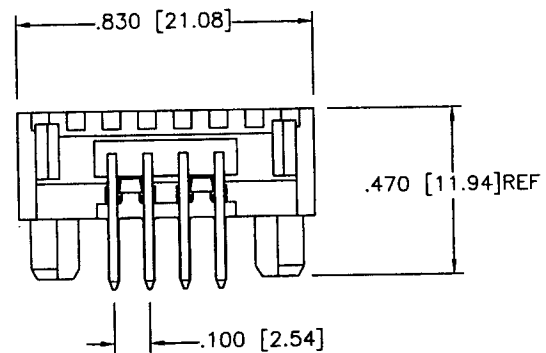
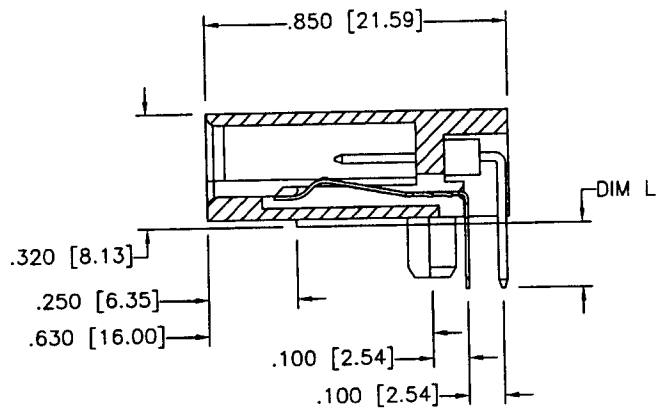
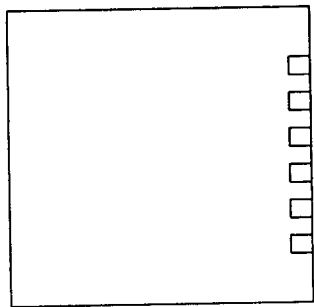


Tous droits strictement réservés. Reproduction ou communication à des tiers interdite sous quelque forme que ce soit sans autorisation écrite du propriétaire. Propriété de c FCI. Droits de reproduction FCI.

All rights strictly reserved. Reproduction or issue to third parties in any form whatever is not permitted without written authority from the proprietor. Property of FCI. Copyright FCI.



PRODUCT NUMBER
SEE TABLE



mat'l. code				tolerances unless otherwise specified				CUSTOMER COPY		Electronics www.fciconnect.com	
ltr	ecn no	dr	date	linear	.XX ±.01/.3		projection		title		
A		JRL	7/17/90		.XXX ±.005/0.13				1X4 LNL RT ANGLE HEADER ASSEMBLY		
B	V 00432	TFG	2/14/00		.XXXX ±.0020/0.051		INCH/MM		product family LATCH-N-LOK		
C	V01795	TFG	9/11/00	angles	0° ±2°		scale		size dwg no		
D	V10425	TFG	2/7/01	dr	J.LINN	7/17/90	1:1		A 69273		
				engr	D.HORCHLER	7/17/90			code		
				chr	D.HORCHLER	7/17/90			sheet		
				appd	D.HORCHLER	7/17/90			1 of 2		
sheet index	revision sheet	D	D								
		1	2								

cage code
22526

ACAD

PDM: Rev:D

STATUS: Released

Printed: Aug 17, 2002

Tous droits strictement réservés. Reproduction ou communication à des tiers interdite sans autorisation écrite du propriétaire. Propriété de c FCI. Droits de reproduction FCI.



All rights strictly reserved. Reproduction or issue to third parties in any form whatever is not permitted without written authority from the proprietor. Property of FCI. Copyright FCI.

69273-XXX

1 | 2

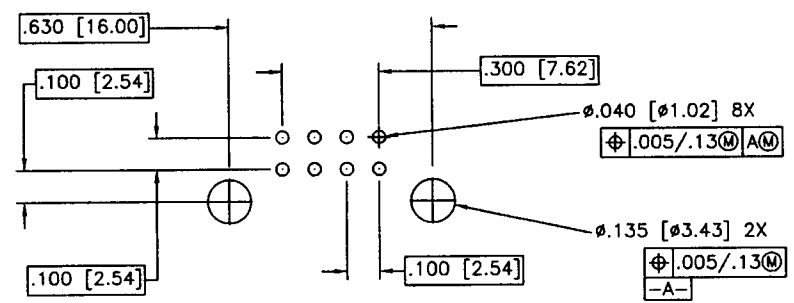
3 |

4

	COLOR ④
1	70343 LT GRAY
2	80166 OFF WHITE
3	70634 DK GRAY
4	701 BLACK
5	70511 SLATE GRAY
7	70455 SILVER GRAY
8	80189 PEARL WHITE
9	70419 PEBBLE GRAY

	PLATING
0	30u" GXT
3	30u" AU OVER 50u" NI
5	50u" AU OVER 50u" NI

	PIN LENGTH
	DIM L
0	.150/3.81
1	.110/2.79



RECOMMENDED PCB LAYOUT

NOTES:

1. HEADER SHROUD
MAT'L: POLYCARBONATE, 94 VO RATED.
2. GROUND CONTACT
MAT'L: COPPER ALLOY
PLATING: 100u"/2.54u TO 300u"/7.62u 93/7 TIN/LEAD
3. SIGNAL CONTACT
MAT'L: COPPER ALLOY
PLATING: SEE TABLE
- ④ NUMBERS SHOWN ARE FOR G.E. LEXAN AND ARE FOR REFERENCE ONLY.
5. THIS ASSEMBLY U.L. APPROVED PER FILE E66906 VOL. 1, SEC 84 AND CSA APPROVED PER MASTER FILE LR 46923.

mat'l. code				tolerances unless otherwise specified		CUSTOMER COPY		Electronics www.fciconnect.com	
ltr	ecn no	dr	date	linear	.XX ±.01/.3	projection		title	
D					.XXX ±.005/0.13			1X4 LNL RT ANGLE HEADER ASSEMBLY	
				angles	.XXXX ±.0020/0.051		INCH/MM	product family LATCH-N-LOK	
				dr	0° ±2'	scale	size		
				enr	J.LJNN 7/17/90	1:1	69273		
				chr	D.HORCHLER 7/17/90		sheet		
				appd	D.HORCHLER 7/17/90		2 of		
sheet index	revision sheet								

cage code 22526

1 | 2

3 |

4

ACAD

PDM: Rev:D

STATUS: Released

Printed: Aug 17, 2002