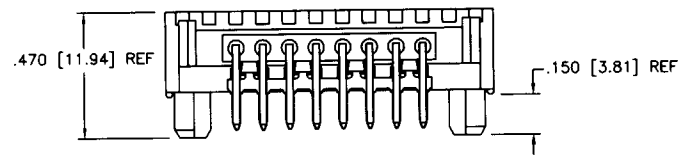
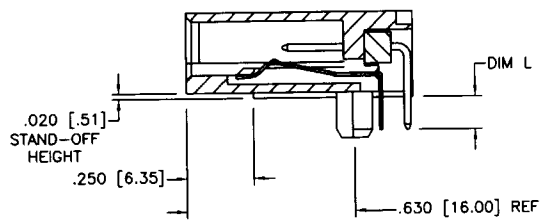
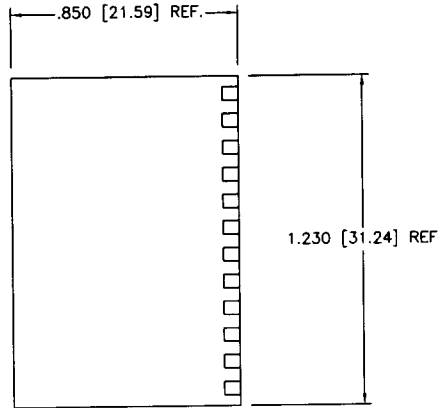


Tous droits strictement reserves. Reproduction ou communication a des tiers interdite sous quelque forme que ce soit sans autorisation écrite du propriétaire. Propriété de c FCI. Droits de reproduction FCI.

All rights strictly reserved. Reproduction or issue to third parties in any form whatever is not permitted without written authority from the proprietor. Property of FCI. Copyright FCI.



PRODUCT NUMBER  
SEE TABLE



mat'l. code				tolerances unless otherwise specified		CUSTOMER COPY		 www.fciconnect.com	
ltr	ecn no	dr	date	linear	.XX ±.01/.3	projection		title	
A		JRL	7/17/90		.XXX ±.005/0.13			1X8 LNL RIGHT ANGLE HEADER ASSEMBLY	
B	V01017	TFG	5/12/00	angles	.XXX ±.0020/0.051	INCH/MM		product family LATCH-N-LOK	
C	V10985	TFG	2/13/01		0° ±2'	scale		size dwg no	
				dr	J.LINN 7/17/90	1:1		A 69913	
				enfr	D.HORCHLER 7/17/90			code	
				chr	D.HORCHLER 7/17/90			sheet	
				appd	D.HORCHLER 7/17/90			1 of 2	
sheet index	revision sheet	C	C						
		1	2						

cage code  
22526

ACAD

PDM: Rev:C

STATUS: Released

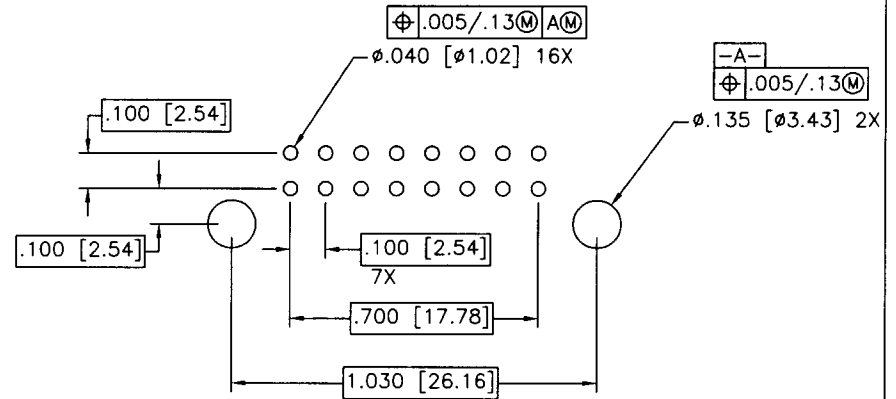
Printed: Aug 18, 2002

69913-XXX

	COLOR (4)
1	70343 LT GRAY
2	80166 OFF WHITE
3	70634 DK GRAY
4	701 BLACK
5	70511 SLATE GRAY
7	70455 SILVER GRAY
8	80189 PEARL WHITE
9	70419 PEBBLE GRAY

	PLATING
0	30u" GXT
3	30u" AU OVER 50u" NI
5	50u" AU OVER 50u" NI

	PIN LENGTH
	DIM L
0	1.50/3.18
1	.110/2.79



RECOMMENDED PCB LAYOUT

NOTES:

- HEADER SHROUD  
MAT'L: POLYCARBONATE.
- GROUND CONTACT  
MAT'L: COPPER ALLOY  
PLATING: 100u"/2.54u TO 300u"/7.62 u 93/7 TIN/LEAD
- SIGNAL CONTACT  
MAT'L: COPPER ALLOY  
PLATING: SEE TABLE
- NUMBERS SHOWN ARE FOR G.E. LEXAN AND ARE FOR REFERENCE ONLY.
- THIS ASSEMBLY U.L. APPROVED PER FILE E66906 VOL. 1, SEC. 84 AND CSA APPROVED PER MASTER FILE LR46923

mat'l. code		tolerances unless otherwise specified		CUSTOMER COPY		Electronics www.fciconnect.com		
ltr	ecn no	dr	date	linear	.XX ±.01/.3	projection	title	
c					.XXX ±.005/0.13		1X8 LNL RIGHT ANGLE HEADER ASSEMBLY	
				angles	.XXXX ±.0020/0.051			
				dr	J.LINN 7/17/90	INCH/MM	product family LATCH-N-LOK	
				engr	D.HORCHLER 7/17/90	scale 1:1	size dwg no	
				chr	D.HORCHLER 7/17/90		A	69913
				appd	D.HORCHLER 7/17/90			sheet 2 of
sheet index	revision sheet							

ACAD

cage code 22526

PDM: Rev:C

STATUS: Released

Printed: Aug 18, 2002

Tous droits strictement reserves. Reproduction ou communication a des tiers interdite sous quelque forme que ce soit sans autorisation écrite du propriétaire. Propriete de c FCI. Droits de reproduction FCI.

All rights strictly reserved. Reproduction or issue to third parties in any form whatever is not permitted without written authority from the proprietor. Property of FCI. Copyright FCI.

FCI