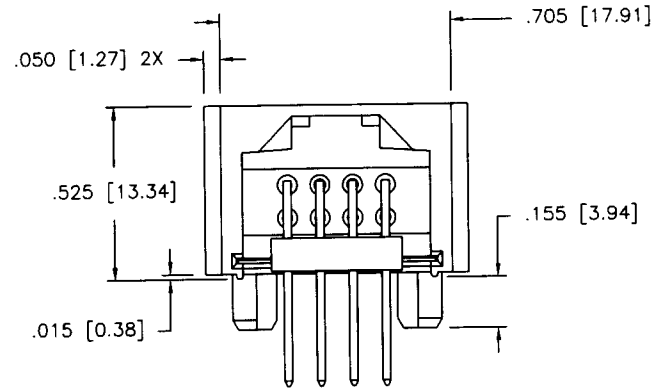
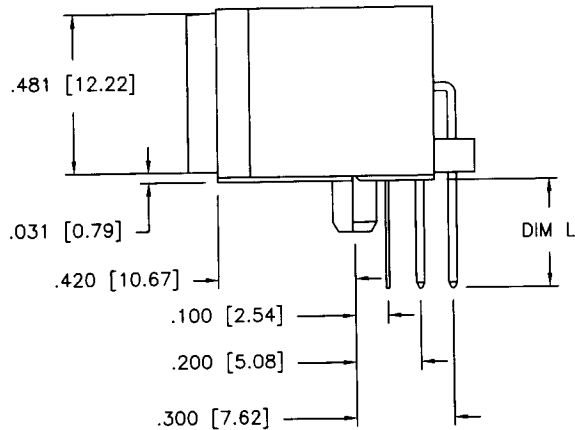
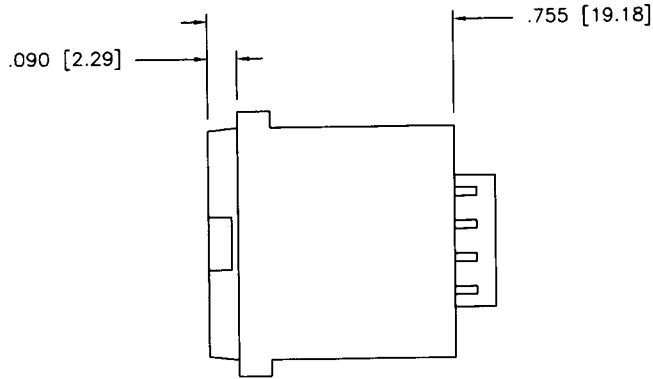


Tous droits strictement réservés. Reproduction ou communication à des tiers interdite sous quelque forme que ce soit sans autorisation écrite du propriétaire. Propriété de c FCI. Droits de reproduction FCI.

All rights strictly reserved. Reproduction or issue to third parties in any form whatever is not permitted without written authority from the proprietor. Property of FCI. Copyright FCI.



PRODUCT NUMBER
SEE TABLE



mat'l. code				tolerances unless otherwise specified		CUSTOMER COPY	Electronics www.fciconnect.com		
ltr	ecn no	dr	date	linear	.XX ±.01/.3	projection 	title		
A		MSC	12/22/89		.XXX ±.005/0.13		2X4 LNL LOW PROFILE		
B		JRL	7/17/90		.XXX ±.0020/0.051		HEADER ASSEMBLY		
C		MDF	8/7/90	angles	0° ±2°	INCH/MM 	product family LATCH-N-LOK		
D		RDS	10/18/90	dr	M.CLOUSER 12/22/89		size	dwg no	code
E	V00432	TFG	2/17/00	enfr	D.HORCHLER 12/22/89	scale	A	69958	sheet
F	V01795	TFG	9/12/00	chr	D.HORCHLER 12/22/89	1:1			1 of 2
G	V10985	TFG	2/13/01	appd	D.HORCHLER 12/22/89				
sheet index	revision sheet	G	G	1	2	cage code		4	
							22526		

ACAD

PDM: Rev:G

STATUS: Released

Printed: Aug 17, 2002

Tous droits strictement réservés. Reproduction ou communication à des tiers interdite sous quelque forme que ce soit sans autorisation écrite du propriétaire. Propriété de c FCI. Droits de reproduction FCI.

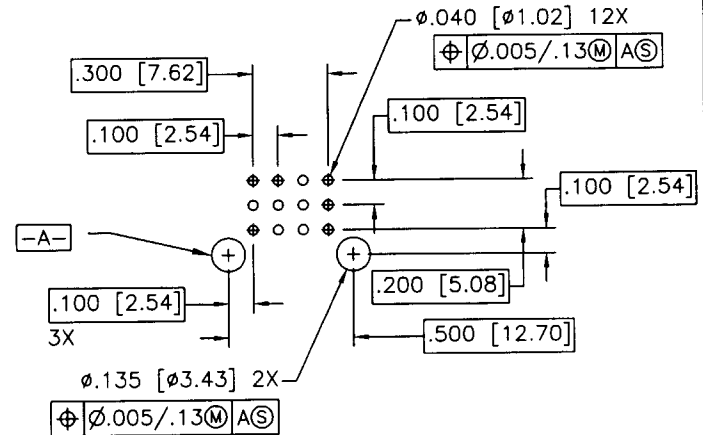
All rights strictly reserved. Reproduction or issue to third parties in any form whatever is not permitted without written authority from the proprietor. Property of FCI. Copyright FCI.

69958-XXX

	COLOR (4)
1	70343 LT GRAY
2	80166 OFF WHITE
3	70634 DK GRAY
4	701 BLACK
5	70511 SLATE GRAY
7	70455 SILVER GRAY
8	80189 PEARL WHITE
9	70419 PEBBLE GRAY

	PLATING
0	30u" GXT
3	30u" AU OVER 50u" NI
5	50u" AU OVER 50u" NI

	PIN LENGTH
	DIM L
0	.200/5.08
1	.130/3.30



RECOMMENDED PCB LAYOUT

NOTES:

1. HEADER SHROUD
MAT'L: POLYCARBONATE.
94 V-O RATED
2. GROUND CONTACT
MAT'L: COPPER ALLOY
PLATING: 100u"/2.54u TO 300u"/7.62 u 93/7 TIN/LEAD
3. SIGNAL CONTACT
MAT'L: COPPER ALLOY
PLATING: 30u"/.76u PALLADIUM ALLOY WITH GOLD
4. NUMBERS SHOWN ARE FOR G.E. LEXAN AND ARE FOR REFERENCE ONLY.
5. THIS ASSEMBLY UL APPROVED PER FILE E66906 VOL. 1, SEC. 84 AND CSA APPROVED PER MASTER FILE LR46923.

mat'l. code				tolerances unless otherwise specified		CUSTOMER COPY		 Electronics FCI www.fciconnect.com		
ltr	ecn no	dr	date	linear	.XX ±.01/.3		projection	title		
G					.XXX ±.005/0.13				2X4 LOW PROFILE HEADER ASSEMBLY	
				angles	.XXXX ±.0020/0.051				product family	code
				dr	M.CLOUSER	12/22/89		scale	LATCH-N-LOK	-
				engr	D.HORCHLER	12/22/89	1:1		size	sheet
				chr	D.HORCHLER	12/22/89			A	69958
				appd	D.HORCHLER	12/22/89				
sheet index	revision sheet							cage code		
								22526		

ACAD

PDM: Rev:G

STATUS: Released

Printed: Aug 17, 2002