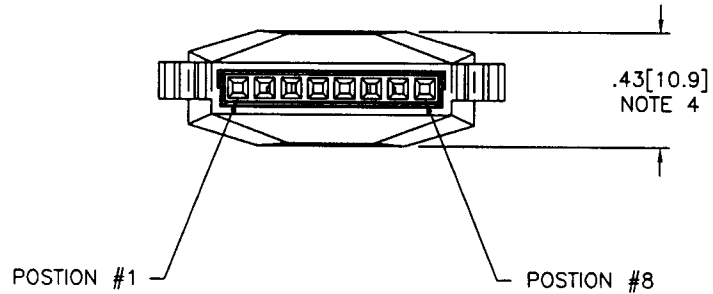
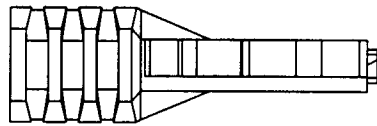
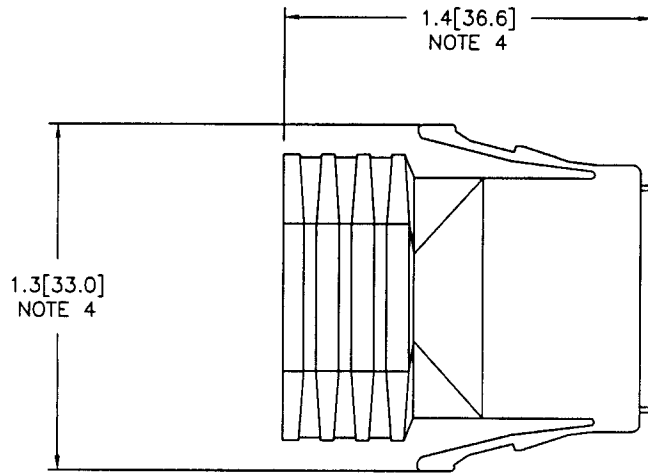


Tous droits strictement réservés. Reproduction ou communication à des tiers
Interdite sous quelque forme que ce soit sans autorisation écrite du propriétaire.
Propriété de c FCI. Droits de reproduction FCI.

All rights strictly reserved. Reproduction or issue to third parties in any
form whatever is not permitted without written authority from the proprietor.
Property of FCI. Copyright FCI.



PRODUCT NUMBER
SEE SHT. 2



mat'l. code				tolerances unless otherwise specified				CUSTOMER COPY		Electronics www.fciconnect.com	
ltr	ecn no	dr	date	linear	.XX ±.01/.3		projection		title		
B	V90510	CGC	2/11/99		.XXX ±.005/0.13				1x8 LATCH-N-LOK 360° SHIELDED		
C	V91512	CGC	8/10/99		.XXXX ±.0020/0.051				PLUG CONN. KIT W/O PV'S		
D	V91916	RGD	10/7/99	angles	0° ±2°		INCH/MM		product family LATCH-N-LOK		
E	V92065	RGD	10/29/99	dr	R.G. Draggoo	5/12/98	scale		code		
F	V01017	TFG	5/15/00	enrg	B.BRUBAKER	5/12/98	1:1		size		
G	V01050	TFG	6/5/00	chr	B.BRUBAKER	5/12/98	A		74903		
H	V01093	TFG	7/6/00	appd	B.BRUBAKER	5/12/98			sheet 1 of 3		
sheet index	revision sheet	H	H	G							
		1	2	3							

ACAD

PDM: Rev:H

STATUS: Released

cage code
22526

Printed: May 18, 2002

Tous droits strictement réservés. Reproduction ou communication à des tiers interdite sous quelque forme que ce soit sans autorisation écrite du propriétaire. Propriété de c FCI. Droits de reproduction FCI.

All rights strictly reserved. Reproduction or issue to third parties in any form whatever is not permitted without written authority from the proprietor. Property of FCI. Copyright FCI.



1 | 2

3 |

4

74903-TUV

U	COLOR
01	LT GRAY
02	OFF WHITE
03	DK. GRAY
04	BLACK
05	SLATE GRAY
07	SILVER GRAY
08	PEARL WHITE
09	PEBBLE GRAY

T	HOLE DIA.
7	.265/6.73
9	.312/7.92

EXAMPLE

74903-707- IS A 1x8 REAR EXIT PLUG
IN SILVER GRAY WITH A CABLE EXIT
HOLE SIZE OF .265 [6.73] CABLE RANGE ,

mat'l. code		tolerances unless otherwise specified		CUSTOMER COPY	Electronics www.fciconnect.com	
ltr	ecn no	dr	date	linear	projection	title
H				.XX ±.01/.3		1x8 LATCH-N-LOK 360° SHIELDED PLUG CONN. KIT W/O PV'S
				.XXX ±.005/0.13		
				.XXX ±.0020/0.051	INCH/MM	product family LATCH-N-LOK
				angles 0° ±2'	scale	code
				dr R.G. Draggoo 5/12/98	1:1	size
				enr B.BRUBAKER 5/12/98		dwg no
				chr B.BRUBAKER 5/12/98		74903
				appd B.BRUBAKER 5/12/98		sheet
sheet index	revision sheet					2 of

1 | 2

3 |

4

ACAD

PDM: Rev:H

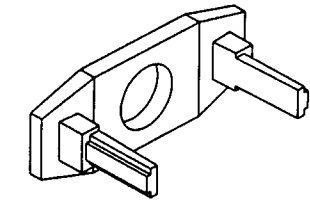
STATUS: Released

Printed: May 18, 2002

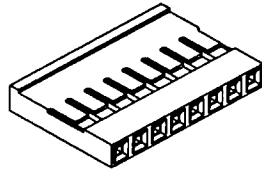
cage code
22526

Tous droits strictement réservés. Reproduction ou communication à des tiers interdite sous quelque forme que ce soit sans autorisation écrite du propriétaire. Propriété de c FCI. Droits de reproduction FCI.

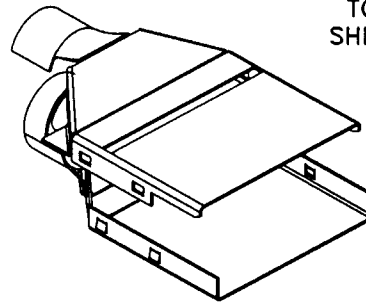
All rights strictly reserved. Reproduction or issue to third parties in any form whatever is not permitted without written authority from the proprietor. Property of FCI. Copyright FCI.



REAR CAP

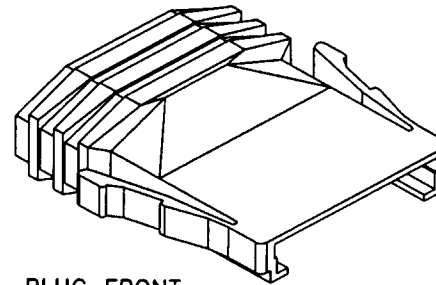


MINI LATCH HOUSING



TOP SHIELD

BOTTOM SHIELD



PLUG FRONT

NOTES:

1. EACH KIT CONTAINS ONE EACH OF THE FOLLOWING COMPONENTS
LATCH-N-LOK PLUG
LATCH-N-LOK END CAP
MINI LATCH HOUSING
360° SHIELD CANS.
2. COMPONENTS ARE BULK PACKAGED WITH 100 pcs. OF A COMPONENT PER BAG. PVC'S MUST BE ORDERED SEPARATELY.
3. MATERIALS USED: PLUGS AND CAPS ARE MOLDED IN POLYCARBONATE. THE MINI LATCH HOUSING ARE MOLDED IN NYLON. COLOR IS BLACK. THE SHIELD CAN IS 3/4 HARD BRASS PLATED WITH 2.5um MIN. BRIGHT TIN. 1.0um MIN. NICKEL UNDERPLATE.
4. DIMENSIONS ARE APPROXIMATE AND REFLECT PLUG IN UNLATCHED STATE.

mat'l. code		tolerances unless otherwise specified		CUSTOMER COPY		Electronics www.fciconnect.com			
ltr	ecn no	dr	date	linear	.XX ±.01/.3	projection	title		
G					.XXX ±.005/0.13				1X8 LATCH-N-LOK 360° SHIELDED PLUG CONN. KIT W/O PV'S
					.XXXX ±.0020/0.051				
				angles	0° ±2°	INCH/MM 1:1	product family LATCH-N-LOK size dwg no		
				dr	R.G.Draggoo 5/12/98			A	74903
				enfr	B.BRUBAKER 5/12/98	code	-		
				chr	B.BRUBAKER 5/12/98				
				appd	B.BRUBAKER 5/12/98				
sheet index	revision sheet								

1 | 2

3 |

4

1 | 2

3 |

cage code
22526

4

ACAD

PDM: Rev:H

STATUS: Released Printed: May 18, 2002